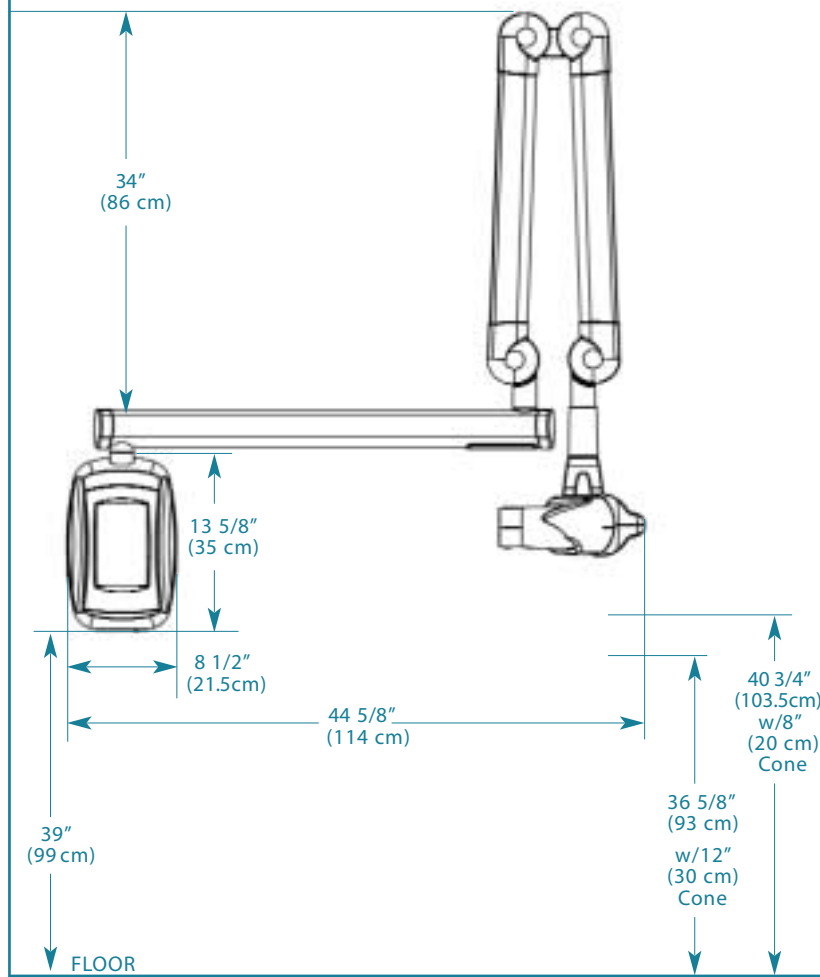
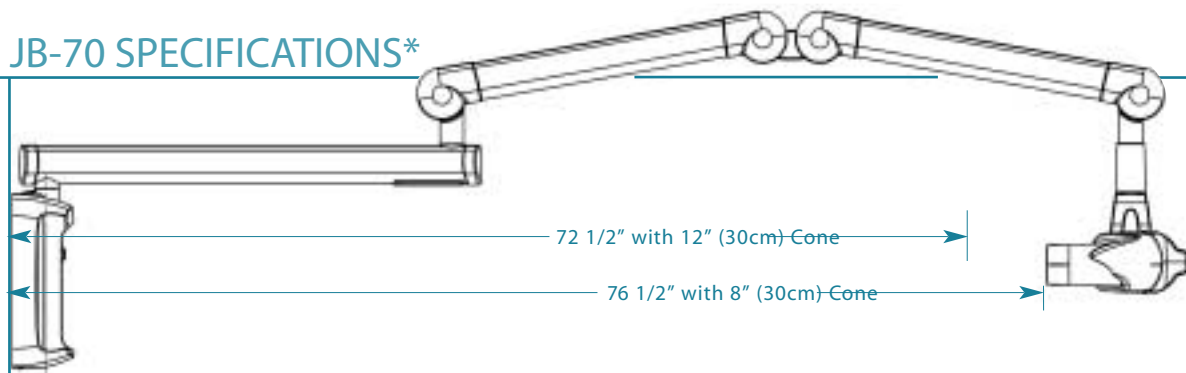


### JB-70 SPECIFICATIONS\*



Proudly made in the U.S.A.

**Line Voltage**

a. 120 Vac +/- 10	50/60 Hz	Max line current is 10 Amps.
b. 230 Vac +/- 10	50/60 Hz.	Max line current is 5 Amps.

**Tube Potential**

70 kVp

**Tube Current**

7 mA

**Exposure Time Selections**

50 ms through 1.65 seconds

**Cone Length**

20 cm (8 inches)

**Minimum Inherent Filtration**

2 mm Al equivalent

**Focal Spot**

0.7 mm

**Duty Factor**

1:30 at 70kVp

**Shipping Weight**

95 lbs.

**Applicable Documents Federal Regulations**

21 CFR; UL; CE

**Warranty**

2 Years, limited

**Options:**

Exposure handswitch

12" Cone

8" Rectangular cone

Choice of 66" or 76" (total reach)

Two stud mounting plate

Metal stud mounting plate

\* Specifications subject to change without notice.

**Progeny, Inc.**

1407 Barclay Boulevard • Buffalo Grove, Illinois 60089 U.S.A.

Phone: (888) 924-3800 • Fax: (847) 459-5175

[www.progenydenal.com](http://www.progenydenal.com)